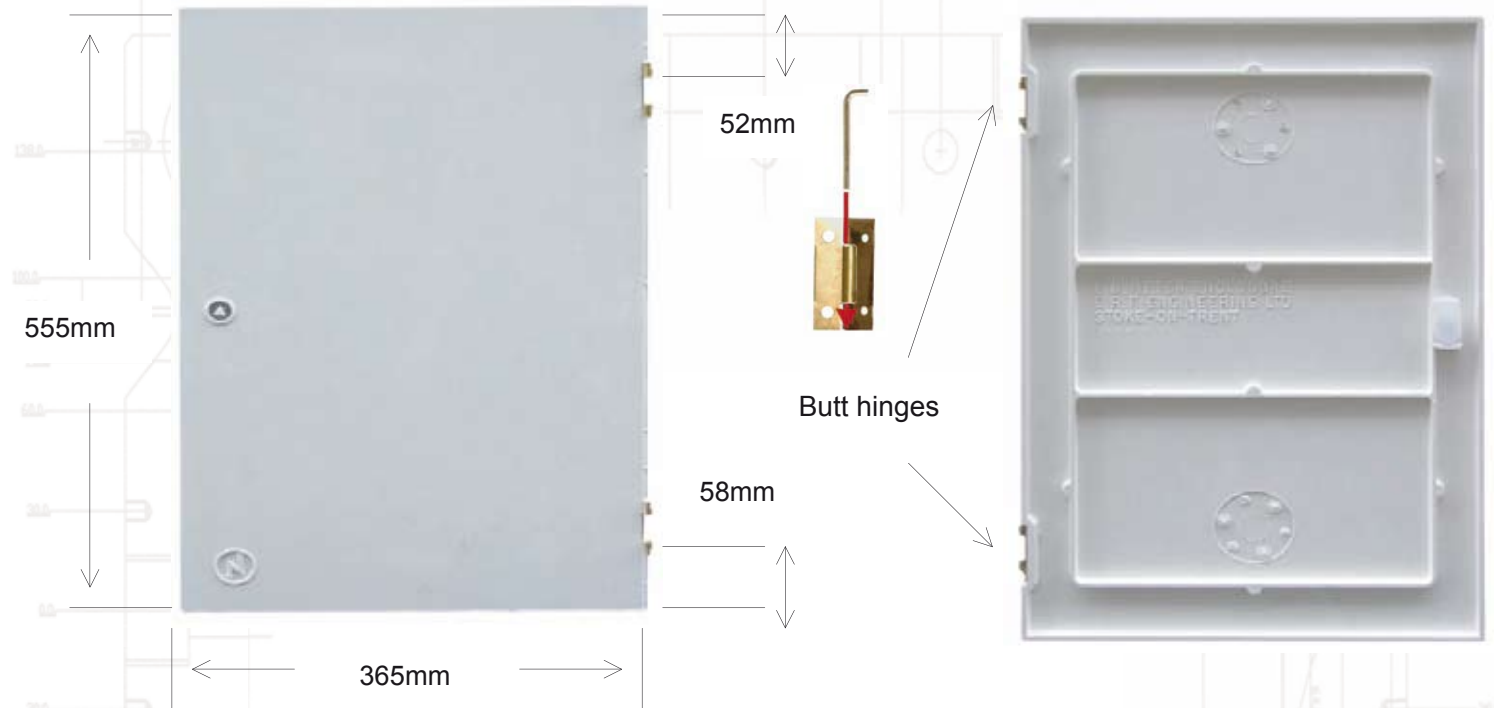


MODEL REF: M40014

PRODUCT CODE: IS0018

**REPLACEMENT DOOR FOR THE SHALLOW  
FLUSH FITTED (BUILT-IN) ELECTRIC METER BOX**

Supplied with hinges and fixing pins.



**FITTING INSTRUCTIONS:**

Remove the damaged door by removing the pins that hold together the halves of the hinge that are attached to the meter box and the halves of the hinge that are attached to the door.

To fit the new door, align the hinges on the door against the hinges on the meter box and push the fixing pins through the hinges parts to hold them together.



Visit [meterboxes.co.uk](http://meterboxes.co.uk) for information about our range of meter boxes and replacement parts

Architects • Builders • Designers • Specifiers • Contractors • Housing Associations • Local Authorities



New Street Biddulph Moor Stoke on Trent ST8 7NL Tel: 01782 375450 Fax: 01782 522652  
sales@mitras-composites.co.uk <http://www.meterboxes.co.uk> <http://www.mitrascomposites.co.uk>

REGISTERED OFFICE: NEW STREET, BIDDULPH MOOR, STOKE-ON-TRENT - REGISTERED No. 364912 ENGLAND