



**Mitras**  
Composites (UK) Ltd  
Innovation in composite design



## Standard Flush Fitted (built-in) Electric Meter Box *SEEB (EDF) version*

**PRODUCT REF: M03025**

### **KEY FEATURES:**

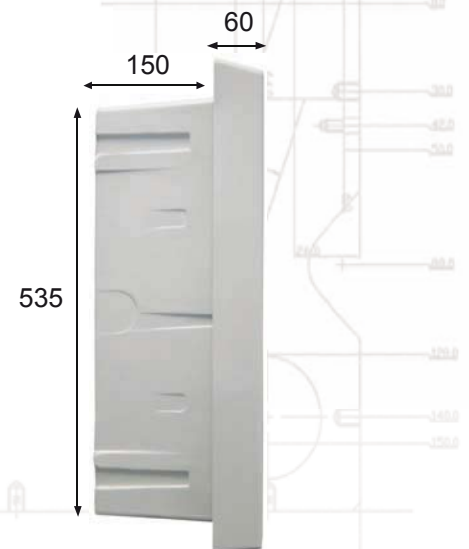
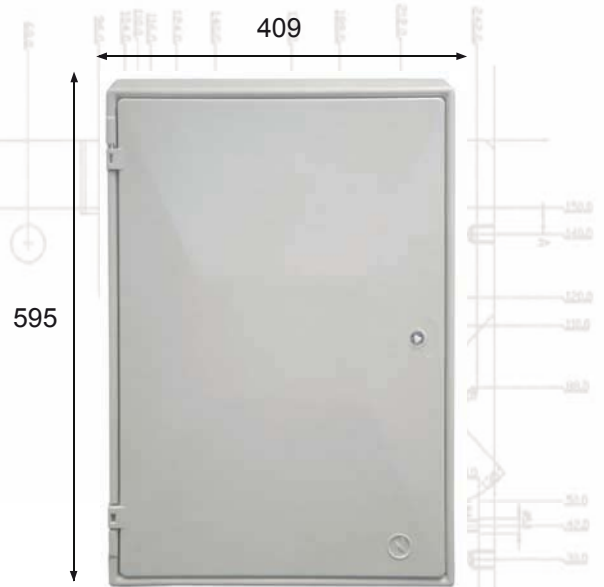
Weather resistant. Will not rot or corrode.  
Matching gas meter box.  
Suitable for all domestic electric meters.

### **SPECIFICATION:**

Fire retardant to E.S.I. Standard 12-3.  
Overall dimensions:  
409mm wide x 595mm high x 210mm deep.  
Manufactured in glass reinforced plastic.

### **INSTALLATION:**

Easy installation - cable entry on the face  
of the wall or via the cavity.  
Brickwork opening dimensions:  
365mm wide x 535mm high x 150mm deep.  
Visit [meterboxes.co.uk](http://meterboxes.co.uk) for installation  
drawings.



Visit [meterboxes.co.uk](http://meterboxes.co.uk) for information about our range of meter boxes

Architects • Builders • Designers • Specifiers • Contractors • Housing Associations • Local Authorities



New Street Biddulph Moor Stoke on Trent ST8 7NL Tel: 01782 375450 Fax: 01782 522652  
[sales@mitras-composites.co.uk](mailto:sales@mitras-composites.co.uk) <http://www.meterboxes.co.uk> <http://www.mitrascomposites.co.uk>

REGISTERED OFFICE: NEW STREET, BIDDULPH MOOR, STOKE-ON-TRENT - REGISTERED No. 364912 ENGLAND