

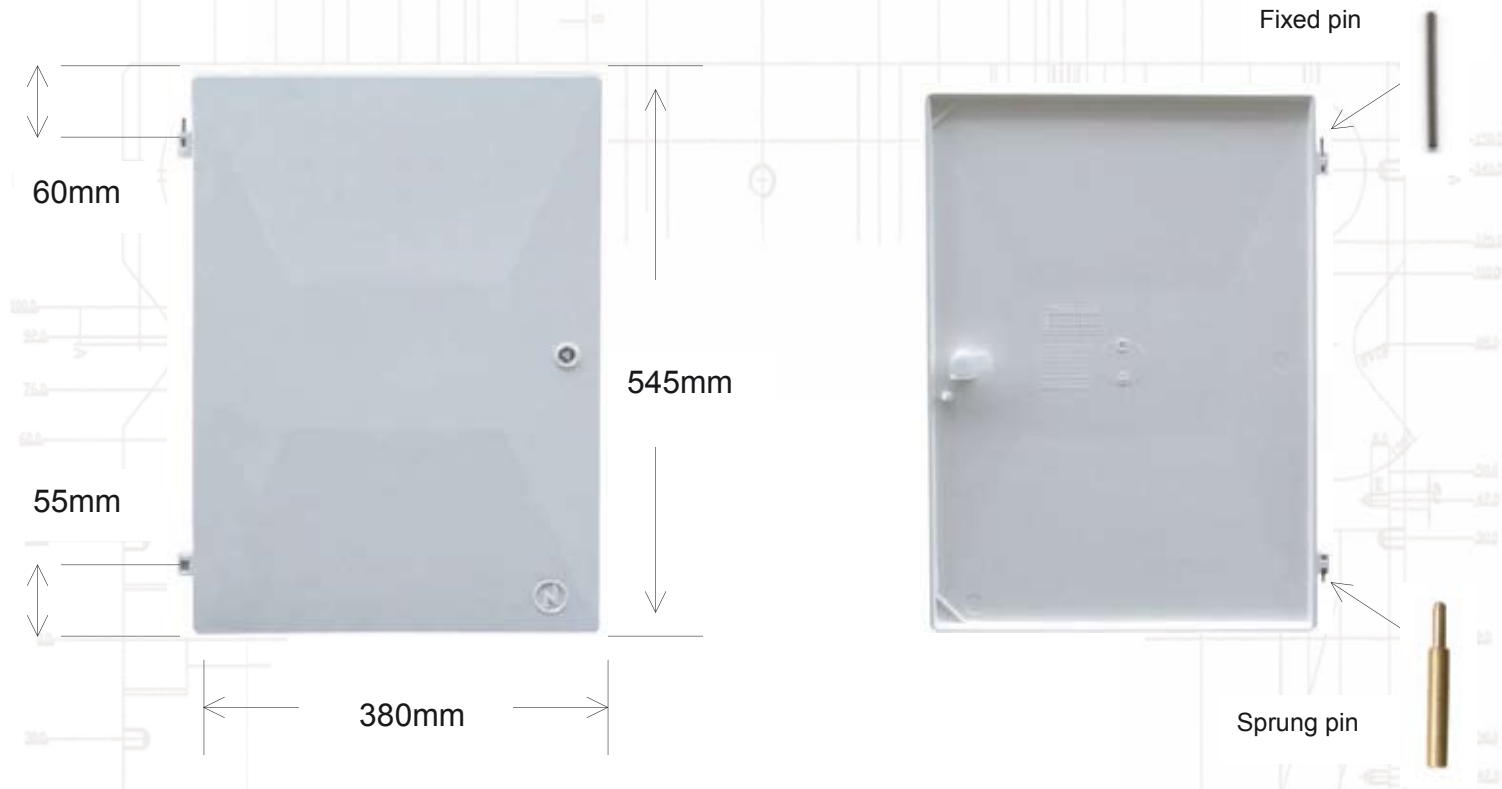


**REPLACEMENT
METER BOX DOOR**

MODEL REF: M00034 **PRODUCT CODE: IS0011**

**REPLACEMENT DOOR FOR THE STANDARD
FLUSH FITTED (BUILT-IN) ELECTRIC METER BOX**

Suits all makes of standard size flush fitted electric meter boxes.



FITTING INSTRUCTIONS:

1. Position the top hinge pin in the recess of the box.
2. With the top pin in place, position the bottom hinge pin next to the bottom recess of the box.
3. Push the sprung part of the brass pin hinge upwards and hold whilst sliding the pin into position.
4. Allow the sprung part of the brass pin hinge to slot into the recess.



Visit meterboxes.co.uk for information about our range of meter boxes and replacement parts

Architects • Builders • Designers • Specifiers • Contractors • Housing Associations • Local Authorities

