



Mitras
Composites (UK) Ltd
Innovation in composite design



Standard Flush Fitted (built-in) Electric Meter Box *Scottish Power version*

PRODUCT REF: M00022

KEY FEATURES:

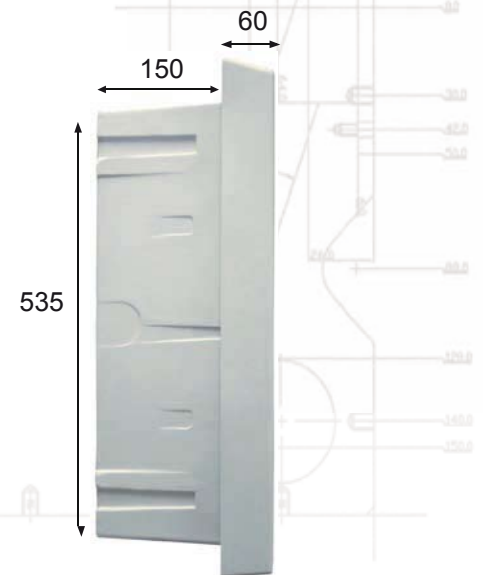
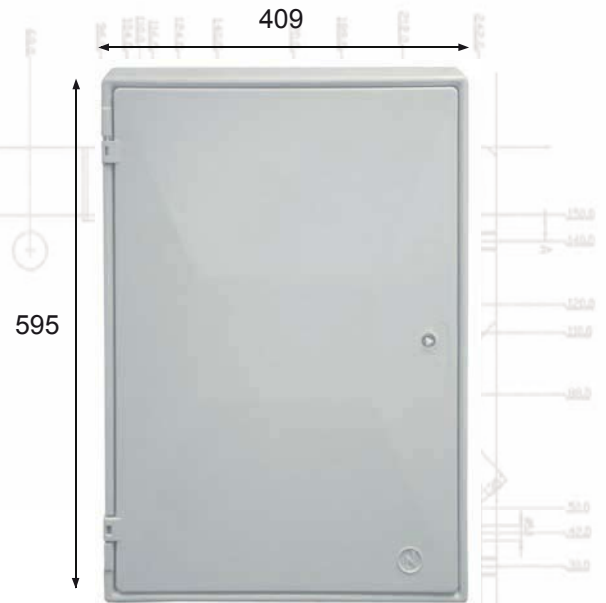
Weather resistant. Will not rot or corrode.
Matching gas meter box.
Suitable for all domestic electric meters.

SPECIFICATION:

Fire retardant to E.S.I. Standard 12-3.
Overall dimensions:
409mm wide x 595mm high x 210mm deep.
Manufactured in glass reinforced plastic.

INSTALLATION:

Easy installation - cable entry on the face
of the wall or via the cavity.
Brickwork opening dimensions:
365mm wide x 535mm high x 150mm deep.
Visit meterboxes.co.uk for installation
drawings.



Visit meterboxes.co.uk for information about our range of meter boxes

Architects • Builders • Designers • Specifiers • Contractors • Housing Associations • Local Authorities



New Street Biddulph Moor Stoke on Trent ST8 7NL Tel: 01782 375450 Fax: 01782 522652
sales@mitras-composites.co.uk <http://www.meterboxes.co.uk> <http://www.mitrascomposites.co.uk>

REGISTERED OFFICE: NEW STREET, BIDDULPH MOOR, STOKE-ON-TRENT - REGISTERED No. 364912 ENGLAND