



Mitras
Composites (UK) Ltd
Innovation in composite design

Multibox Brown Gas meter



PRODUCT REF: G60034

KEY FEATURES:

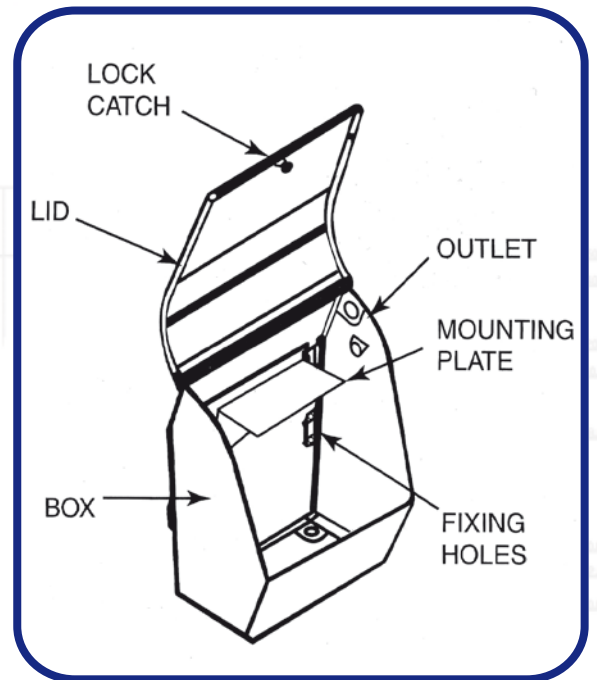
Weather resistant.
Will not rot or corrode. Suitable for U6 and G4 domestic gas meters including pre-payment meters and some medium pressure applications.

SPECIFICATION:

Fire retardant to BS476 Part 7 Class 2.
Manufactured in glass reinforced plastic.
Complete with meter bracket.

INSTALLATION:

Fitted at ground level submerged into the ground by up to 75mm, or fixed onto the wall. This allows for fitting to the wall at ground level without bridging the damp course. The gas service entry to the installation is through the bottom of the box on the left-hand side with a built in mounting for a PE pipe transition fitting. The gas outlet positions are on the right hand side.



Visit www.meterboxes.co.uk for information about our range of meter boxes

Architects • Builders • Designers • Specifiers • Contractors • Housing Associations • Local Authorities



New Street Biddulph Moor Stoke on Trent ST8 7NL Tel: 01782 375464 Fax: 01782 522652
sales@mitras-composites.co.uk <http://www.meterboxes.co.uk> <http://www.mitrascomposites.co.uk>