

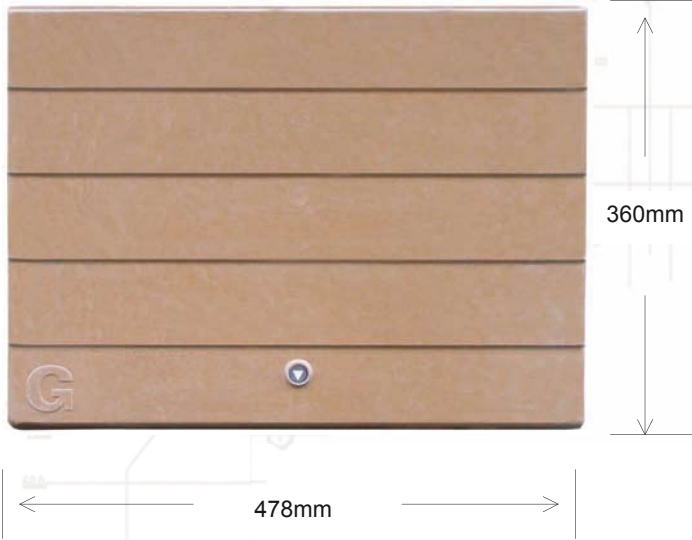


**REPLACEMENT  
METER BOX DOOR**

**REPLACEMENT LIDS FOR SEMI-BURIED GAS METER BOXES**

**MODEL REF: G60033**  
**PRODUCT CODE: IS0004**

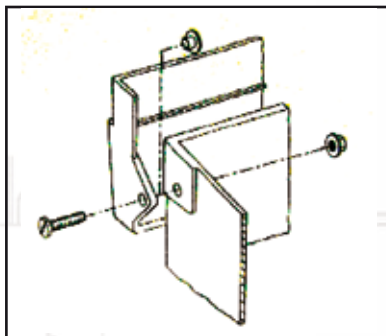
**MODEL REF: 930001**  
**PRODUCT CODE: IS0030**



**FITTING INSTRUCTIONS:**

Align the holes on the sides of the replacement lid with those on the meter box. Push through the supplied plastic screws, with the plastic spacer between the box and lid. Secure with the supplied plastic nuts

Suitable for the semi-buried gas meter box:



Visit [meterboxes.co.uk](http://meterboxes.co.uk) for information about our range of meter boxes and replacement parts

Architects • Builders • Designers • Specifiers • Contractors • Housing Associations • Local Authorities

