



Mitras
Composites (UK) Ltd
Innovation in composite design



Transco Semi Buried Gas Meter Box

PRODUCT REF: G60032

KEY FEATURES:

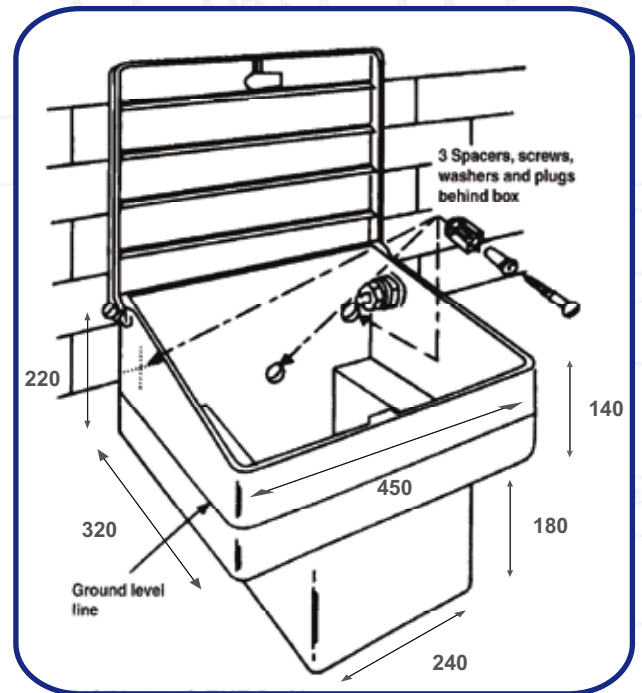
- Weather resistant.
- Will not rot or corrode.
- Suitable for the Actaris TVI plastic case U6 domestic gas meter.

SPECIFICATION:

- National Grid Gas (Transco) design.
- National Grid Gas PRS8 Specification.
- Fire retardant to BS476 Part 7 Class 2.

INSTALLATION:

The installation pipe shall be connected to the outlet adaptor fixed to the right hand side of the box.



EXTENSION KIT AVAILABLE
to increase the height to allow the exchange of the meter to a pre-payment:



Visit www.meterboxes.co.uk for information about our range of meter boxes

Architects • Builders • Designers • Specifiers • Contractors • Housing Associations • Local Authorities



New Street Biddulph Moor Stoke on Trent ST8 7NL Tel: 01782 375464 Fax: 01782 522652
sales@mitras-composites.co.uk <http://www.meterboxes.co.uk> <http://www.mitrascomposites.co.uk>

REGISTERED OFFICE: NEW STREET, BIDDULPH MOOR, STOKE-ON-TRENT - REGISTERED No. 364912 ENGLAND